

Single Mode 1310/1550 Bi-directional Single Fiber Module with PIN-TIA



Laser Diode (T= 25°C)

Parameter	Symbol	Test Conditions	Min	Typical	Max	Units
Data Rate			100M		2.5G	b/s
Center Wavelength	λ	P_0 -40 to 85°C	1260	1310	1360	nm
			1491	1550	1606	
Spectral Width	$\Delta\lambda$	P_0 , (RMS, -20dB)	-	1	2	nm
			-	1	3	
Threshold Current	I_{th}	P_0 , 25°C		5	15	mA
				10	15	
Operating Voltage	V_{op}	P_0	-	1.1	1.5	V
			-	1.1	1.5	
Rise/fall Time	t_r / t_f	10-90%	-	0.3	0.7	ns
			-	0.3	0.7	
Optical Output Power	P_0	1310nm, $I_{th}+20mA$ 1550nm, $I_{th}+30mA$				
-1			0.1	-	0.4	mW
-2			0.4	-	0.7	mW
-3			0.7	-	1.2	mW
Monitor Current (PD)	I_m	$P_0, V_{RD}=1V$	0.1	0.5	-	mA
Dark Current (PD)	I_d	$V_{RD}=10V$	-	-	0.1	uA
Tracking Error	E_t	-40 to 85°C	-	± 1.0	-	dB

PIN-TIA (T=25°C, V= 4.75 to 5.25V DC or 3.1 to 3.5V DC)

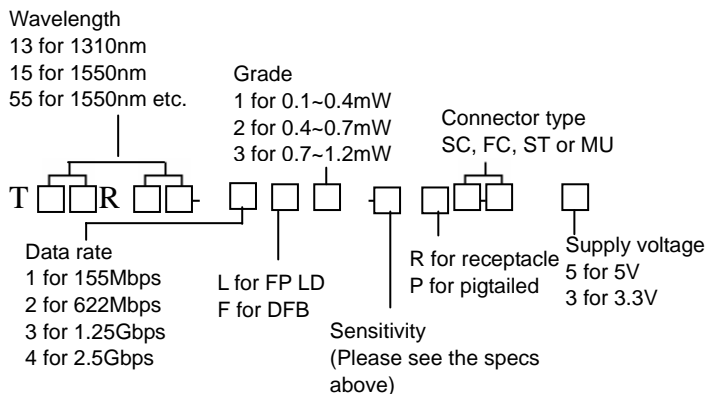
Parameter	Symbol	Min.	Typical	Max.	Unit
Data Rate	B	100M	-	1.25G	b/s
Optical Input Sensitivity	S				
155Mbps	1	-	-	-28	dBm
	2	-	-	-31	
622Mbps	1	-	-	-22	dBm
	2	-	-	-25	
1.25Gbps	1	-	-	-17	dBm
	2	-	-	-20	
2.5Gbps	1	-	-	-15	dBm
	2	-	-	-17	
Saturation	-	-3	0	3	dBm

Single Mode 1310/1550 Bi-directional Single Fiber Module with PIN-TIA

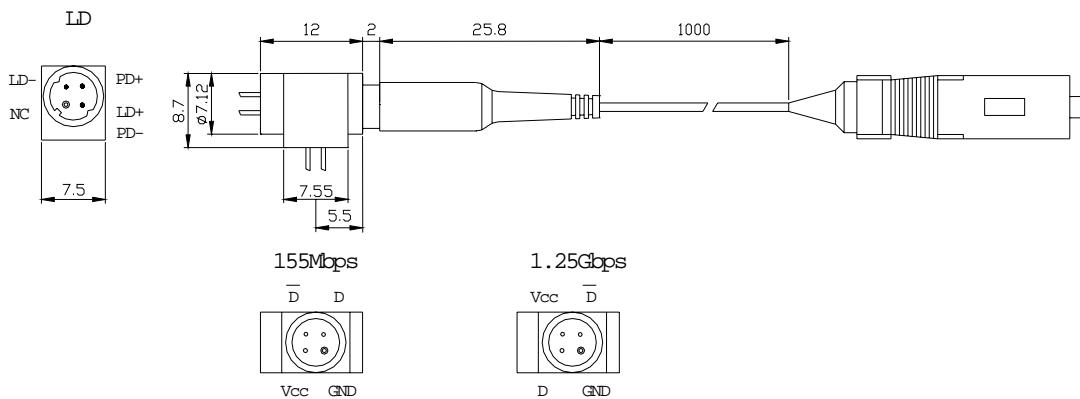
Absolute Maximum Ratings (T=25°C)

Parameter	Symbol	Min.	Max.	Unit
Forward Current (LD)	I_{op}	-	85	mA
Reverse Voltage (LD)	V_{RL}	-	2	V
Forward Current (PD)	I_{FD}	-	2	mA
Reverse Voltage (PD)	V_{RD}	-	20	V
Operating Temperature	T_O	-40	85	°C
Storage Temperature	T_{stg}	-40	125	°C
Lead Soldering Temperature (10 sec)	T_L	-	260	°C
Supply Voltage	-	-0.2	7	V
	5V	-	7	V
	3.3V	-0.2	4	V

Ordering Information



Pigtailed:



Single Mode 1310/1550 Bi-directional Single Fiber Module with PIN-TIA

Receptacle:

