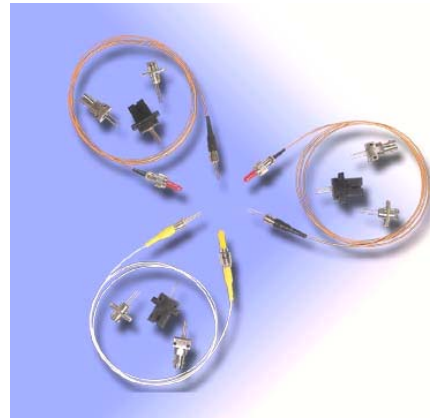


GaAs PIN-TIA Module

Features

- High sensitivity
- Wide dynamic range
- Differential output
- Operating temperature range 0°C to 70°C
- Single supply 3.3V/5V
- Hermetically sealed TO-46 package in pigtailed or receptacle housing with FC, ST or SC connector



Applications

- LANS
- ATM
- FDDI
- SONET/SDH
- Gigabit Ethernet

Specifications (T=25°C +5V or +3.3V)

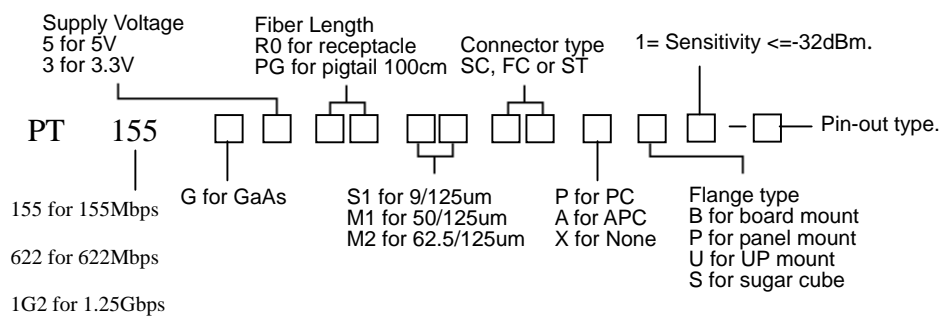
Parameter	Symbol	Min.	Typ.	Max.	Unit	
Bit Rate	B					
155 Mbps			155		Mbps	
622 Mbps			622		Mbps	
1.25 Gbps			1250		Mbps	
Spectral Range	λ	850	-	950	nm	
Sensitivity	S					
155 Mbps				-32	dBm	
622 Mbps				-23	dBm	
1.25 Gbps				-20	dBm	
Input overload	P _{OL}	-3	0	-	dBm	
Rise/Fall Time	T _R / T _F		3	4.5	ns	
Common mode output voltage	V _{CM}	for 3.3V	1.7		V	
		for 5.0V	1.5	2.5	3.5	V
Differential output voltage	V _D	for 3.3V		0.8	V	
		for 5.0V			1.2	V
Power supply	V _{CC}	for 3.3V	3	3.3	3.6	V
		for 5V	4.5	5	5.5	V
Power supply current	I _{OP}					
3.3V		-	-	32	mA	
5 V				40		

GaAs PIN-TIA Module

Absolute Maximum Rating

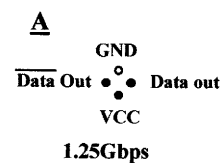
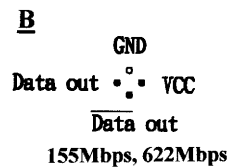
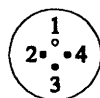
	Symbol	Min.	Max.	Unit
Operating temperature	T_o	-40	85	°C
Storage temperature	T_{stg}	-55	85	°C
Operating voltage	V_F	0	6.0	V
Optical input power	P_{OL}	-	+3	dBm
Lead Soldering Temperature (10 sec)	T_L	-	260	°C

Ordering Information



Pin Connections

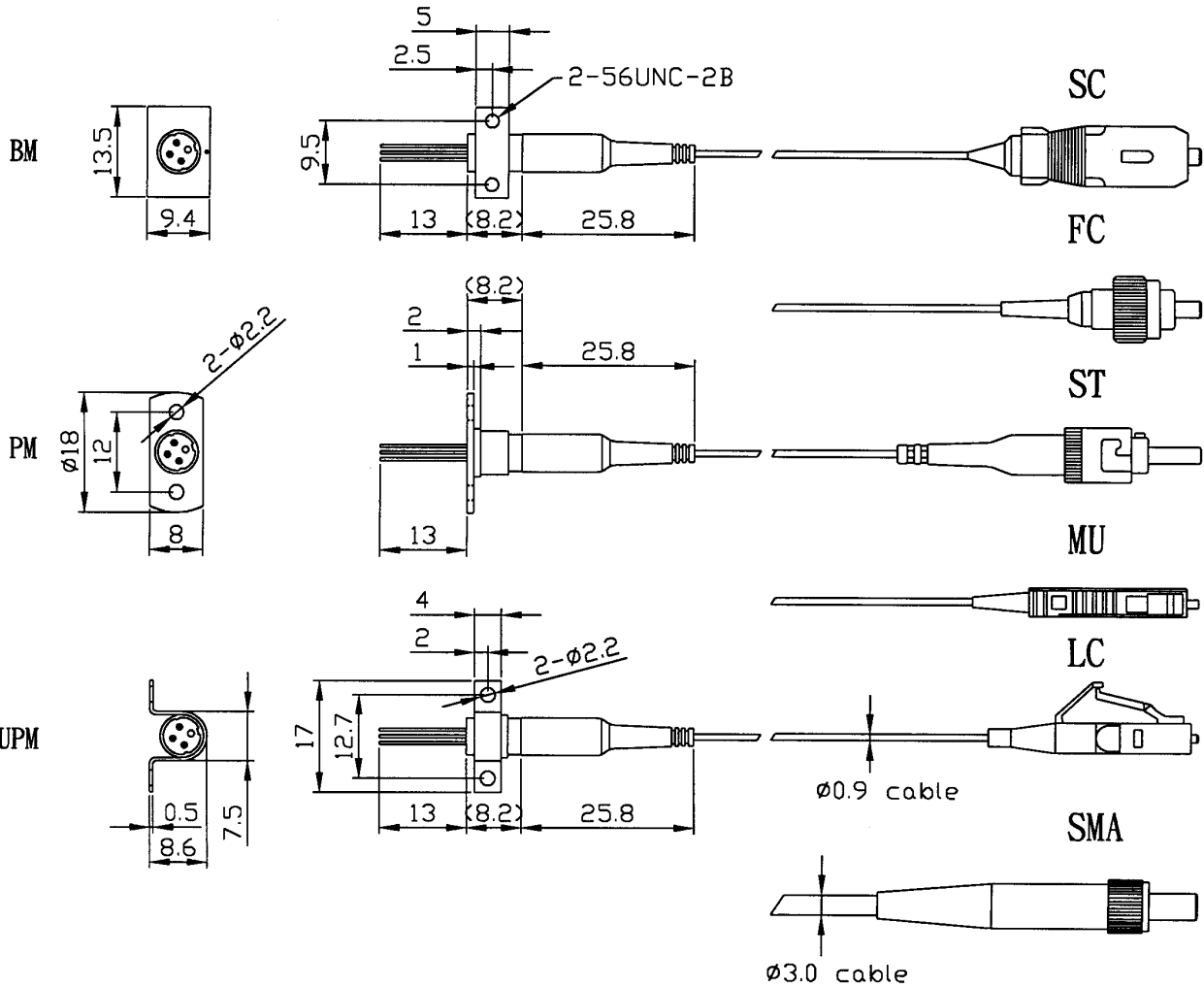
BOTTOM VIEW



GaAs PIN-TIA Module

Dimension

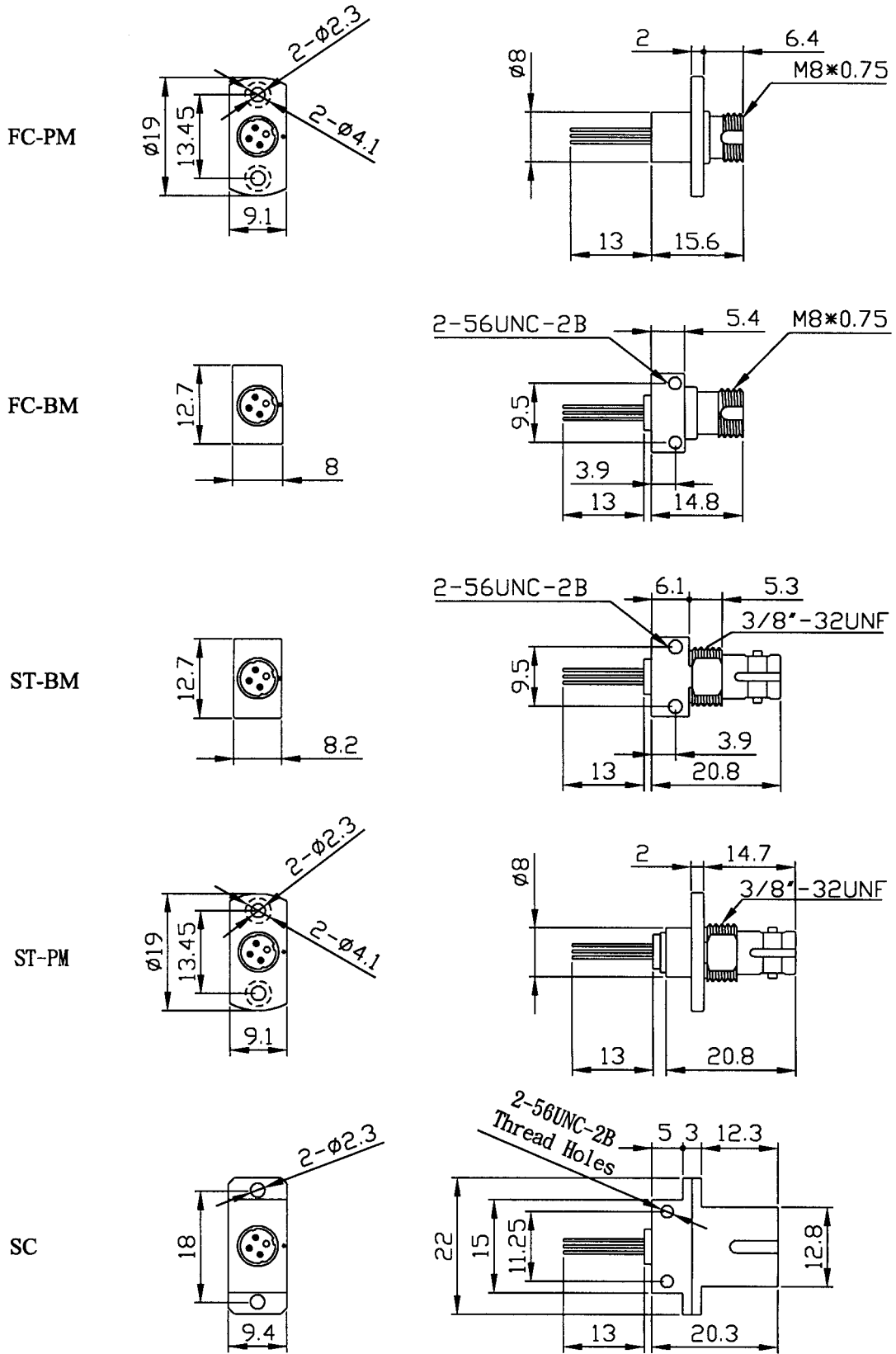
Pigtail Type



GaAs PIN-TIA Module

GaAs PIN-TIA Module

Receptacle Type



GaAs PIN-TIA Module

Sugar Cube

Pin Connections

PIN No.	FUNCTION
1	NC
2	SIGNAL
3	Vee (Gnd)
4	NC
5	NC
6	Vcc
7	Vee (Gnd)
8	NC

Dimension (ST Receptacle) Unit mm

