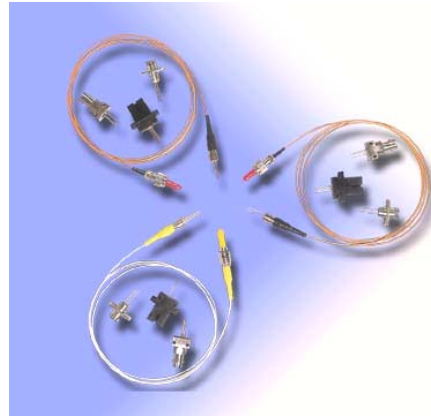


1300nm LED Module

1300 nm LED Module

Features

- High coupled power
- Peak wavelength 1300 nm
- Data rate up to 115 Mb/s
- High reliability >2 x 10⁸ hrs
- Operating temperature range 0°C to 70°C
- Hermetically sealed To -46 package in pigtailed or receptacle housing with FC, ST or SC connector



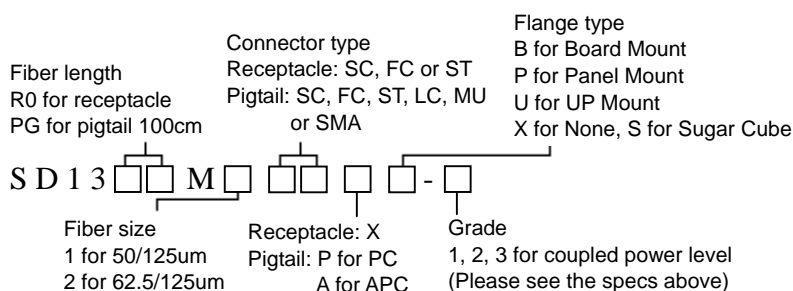
Specifications (100mA forward current, 25 °C)

| Parameter | Symbol | Min | Typical | Max | Units |
|---------------------------------------|-----------------|------|---------|------|---------|
| Peak Wavelength | λ | 1260 | 1300 | 1350 | nm |
| Spectral width FWHM | $\Delta\lambda$ | - | 140 | 200 | nm |
| Coupled power to 62.5 μ m fiber | | | | | |
| -1 | Po | 20 | - | - | μ W |
| -2 | Po | 30 | - | - | μ W |
| -3 | Po | 44 | - | - | μ W |
| Coupled power to 50 μ m fiber | | | | | |
| -1 | Po | 10 | - | - | μ W |
| -2 | Po | 15 | - | - | μ W |
| -3 | Po | 22 | - | - | μ W |
| Forward voltage | V_F | - | 1.3 | - | V |
| Rise/fall time (10% to 90%) | tr/tf | - | - | 3 | ns |
| Data Rate | B | 115 | - | - | Mb/s |
| Temperature coefficient of wavelength | T_w | - | 0.6 | - | nm/°C |
| Temperature coefficient of power | T_p | - | -1 | - | %/°C |

Absolute Maximum Ratings

| Parameter | Symbol | Min. | Max. | Unit |
|-------------------------------------------------|-----------|------|------|------|
| Operating temperature | T_o | 0 | +70 | °C |
| Storage temperature | T_{stg} | -40 | +85 | °C |
| Reverse voltage | V_R | - | 2 | V |
| Peak forward current (duty cycle < 50%, f>1MHz) | I_{op} | - | 125 | mA |
| Lead Soldering Temperature (10sec) | T_L | - | 260 | °C |

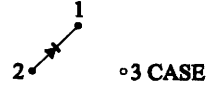
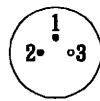
Ordering Information



1300nm LED Module

Pin Connections

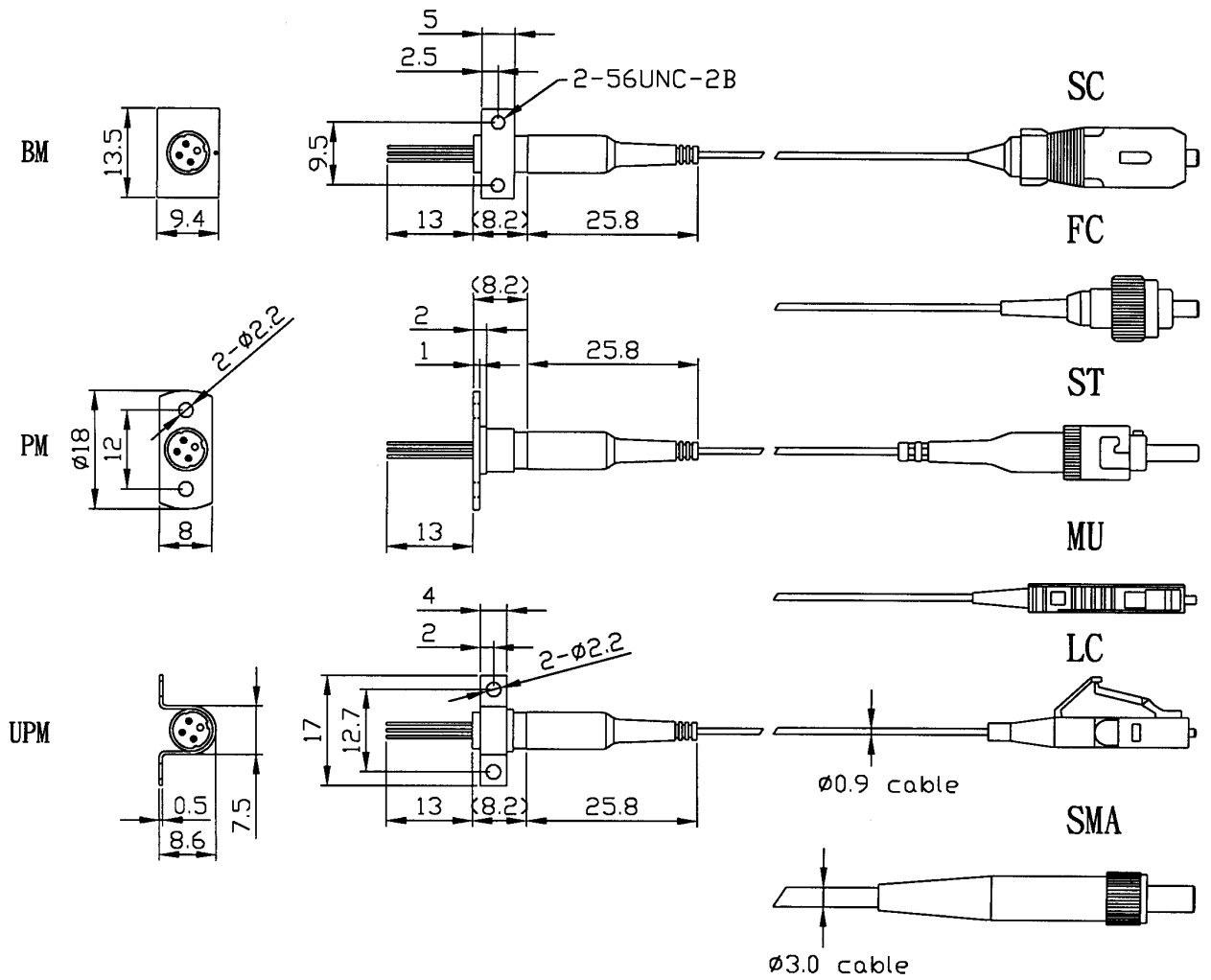
BOTTOM VIEW



UNIT : MM

Dimension

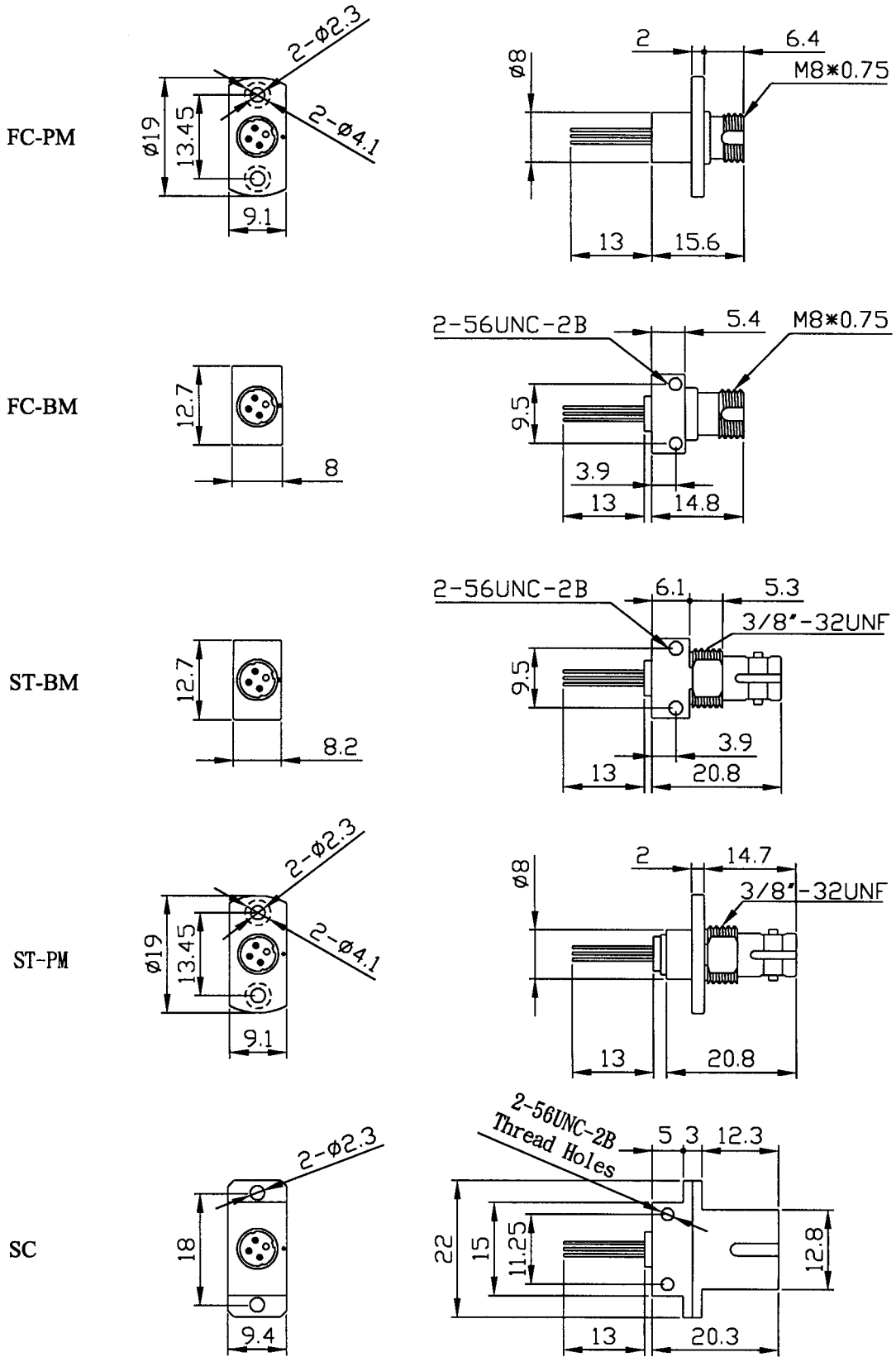
Pigtail Type



1300nm LED Module

1300 nm LED Module

Receptacle Type



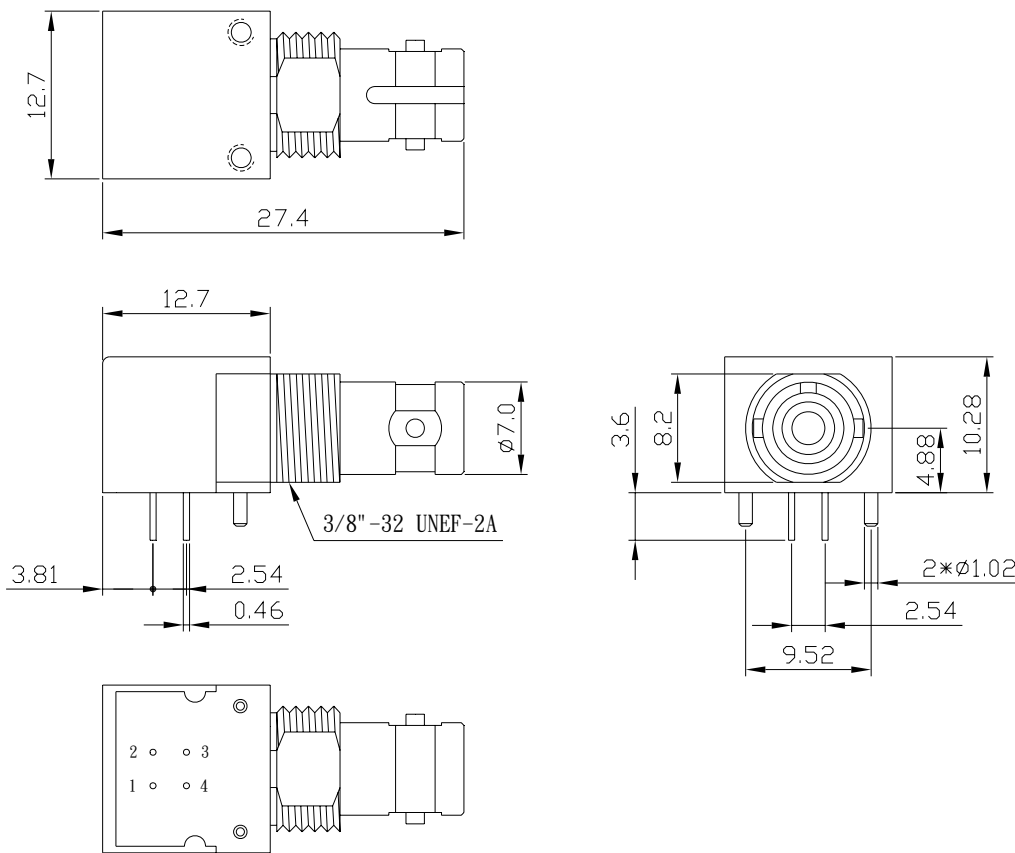
1300nm LED Module

Sugar Cube

Pin Connections

| PIN No. | FUNCTION |
|---------|----------|
| 1 | ANODE |
| 2 | CATHODE |
| 3 | ANODE |
| 4 | ANODE |

Dimension (ST Receptacle) Unit mm



Units: mm

1300nm LED Module

1300nm LED
Fiber Output Power vs. Drive Current

