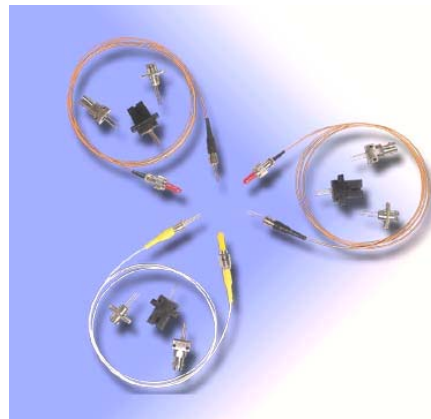


# 1300nm ELED Module

1300nm ELED Module

## Features

- High coupled power
- Peak wavelength 1310 nm
- 3 dB bandwidth >40 nm
- Cut off frequency > 150 MHz
- Operating temperature range 0°C to 70°C
- Hermetically sealed TO package in pigtailed or receptacle housing with FC, ST or SC connector



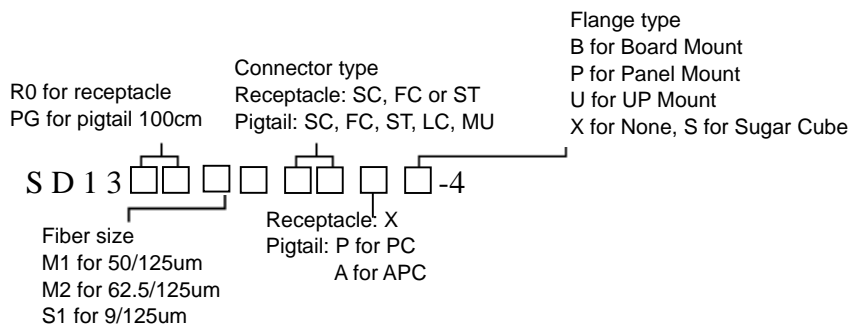
## Specifications (100mA forward current, 25 °C)

Parameter	Symbol	Min	Typical	Max	Units
Peak Wavelength	$\lambda$	1280	1310	1330	nm
Spectral width FWHM	$\Delta\lambda$	-	-	40	nm
Coupled power to 62.5 $\mu$ m fiber	Po	-	600	-	$\mu$ W
Coupled power to 50 $\mu$ m fiber	Po	-	600	-	$\mu$ W
Coupled power to 9 $\mu$ m fiber	Po	-	200	-	$\mu$ W
Forward voltage	V <sub>F</sub>	-	-	2	V
Rise/fall time (10% to 90%)	tr/tf	-	-	3	ns
Cut off frequency (I <sub>op</sub> =100 mA, 20mA p-p)	B	150	-	-	Mb/s

## Absolute Maximum Ratings

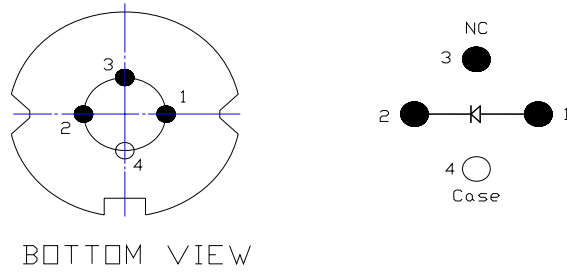
Parameter	Symbol	Min.	Max.	Unit
Operating temperature	T <sub>o</sub>	0	+70	°C
Storage temperature	T <sub>stg</sub>	-40	+85	°C
Reverse voltage	V <sub>R</sub>	-	2	V
Forward current	I <sub>op</sub>	-	150	mA
Lead Soldering Temperature (10sec)	T <sub>L</sub>	-	260	°C

## Ordering Information



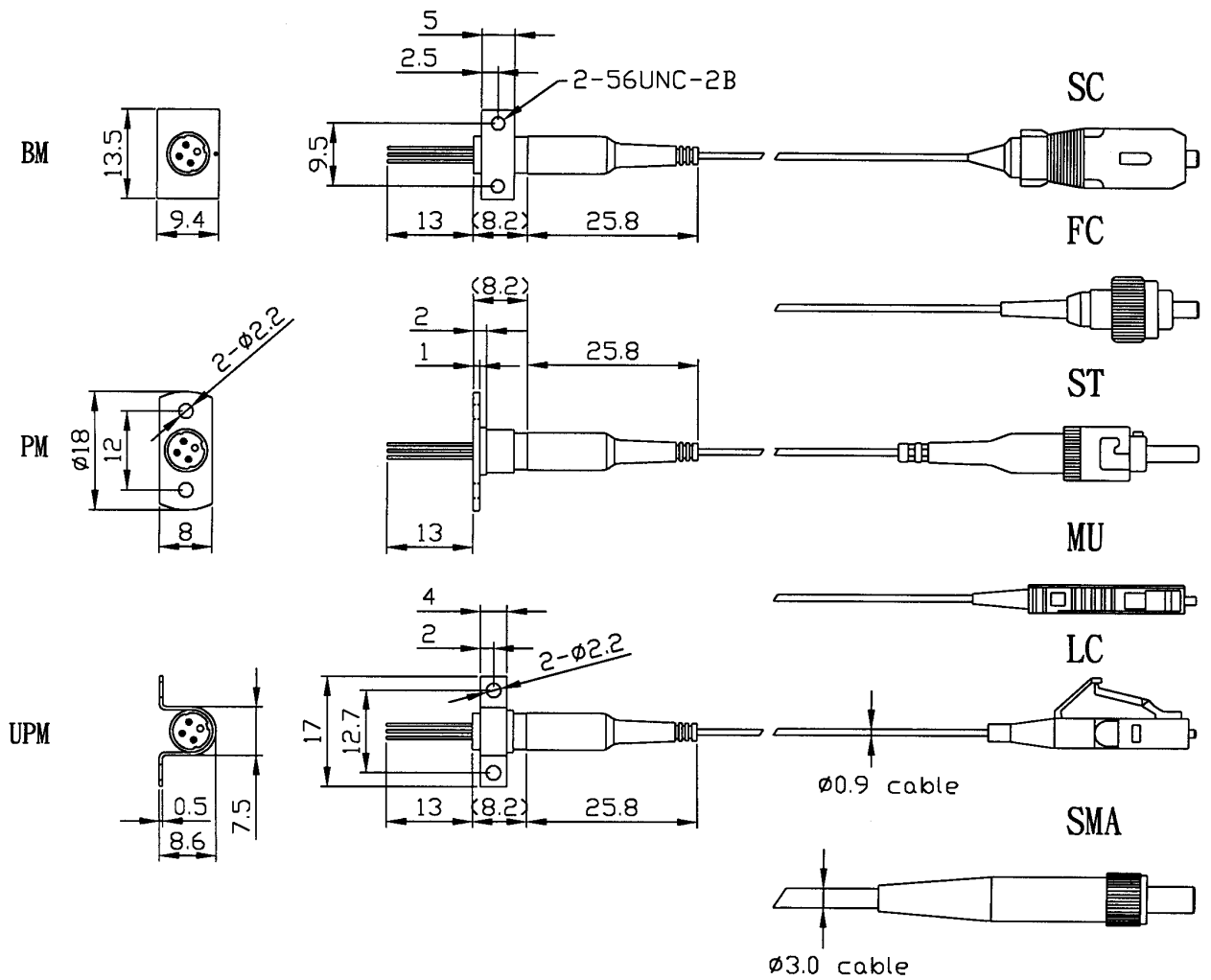
# 1300nm ELED Module

## Pin Connections



## Dimension

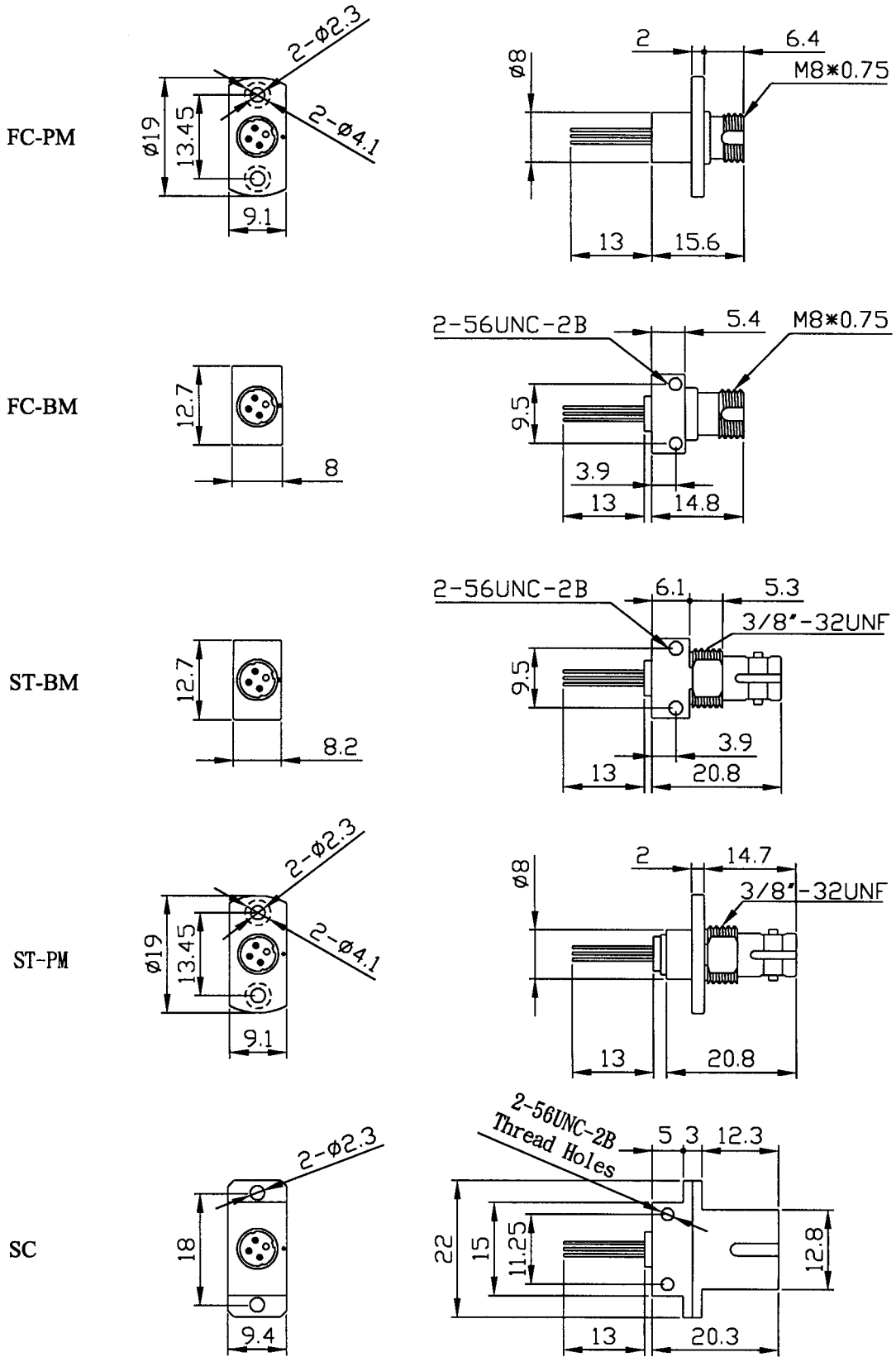
Pigtail Type



# 1300nm ELED Module

1300nm ELED Module

Receptacle Type



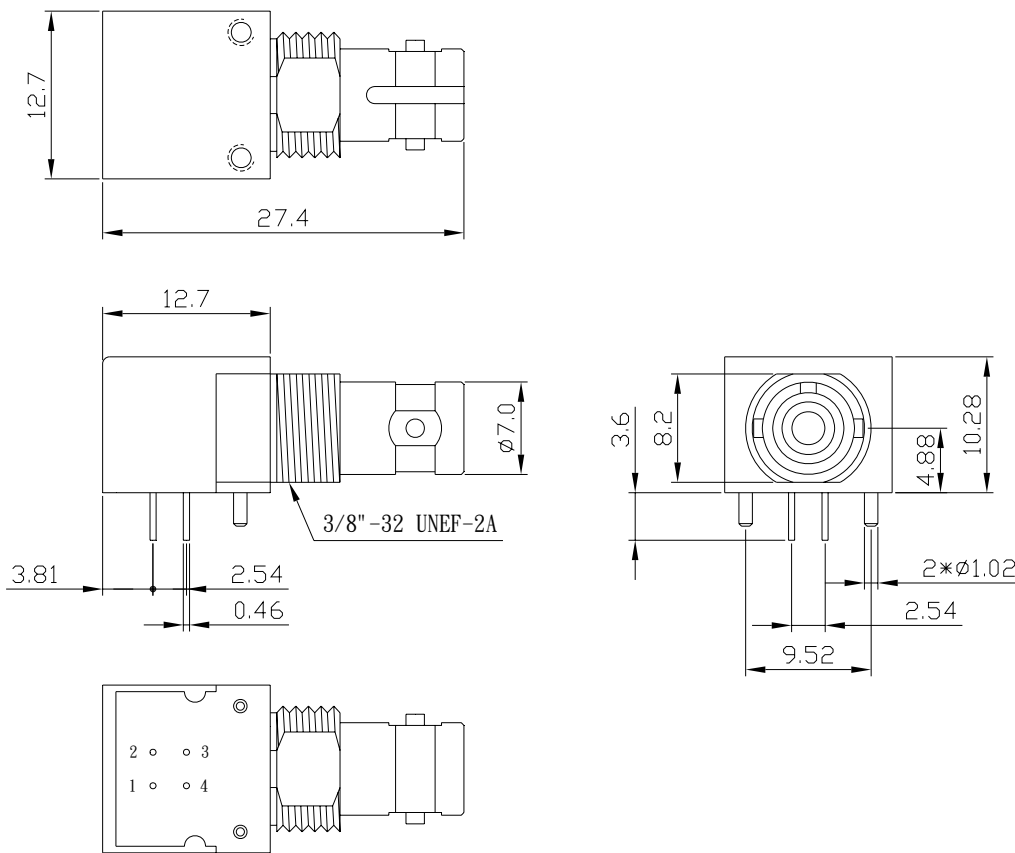
# 1300nm ELED Module

## Sugar Cube

### Pin Connections

PIN No.	FUNCTION
1	ANODE
2	CATHODE
3	ANODE
4	ANODE

### Dimension (ST Receptacle) Unit mm



Units:mm

# 1300nm ELED Module

1300nm ELED Module Power-Iop Curve

